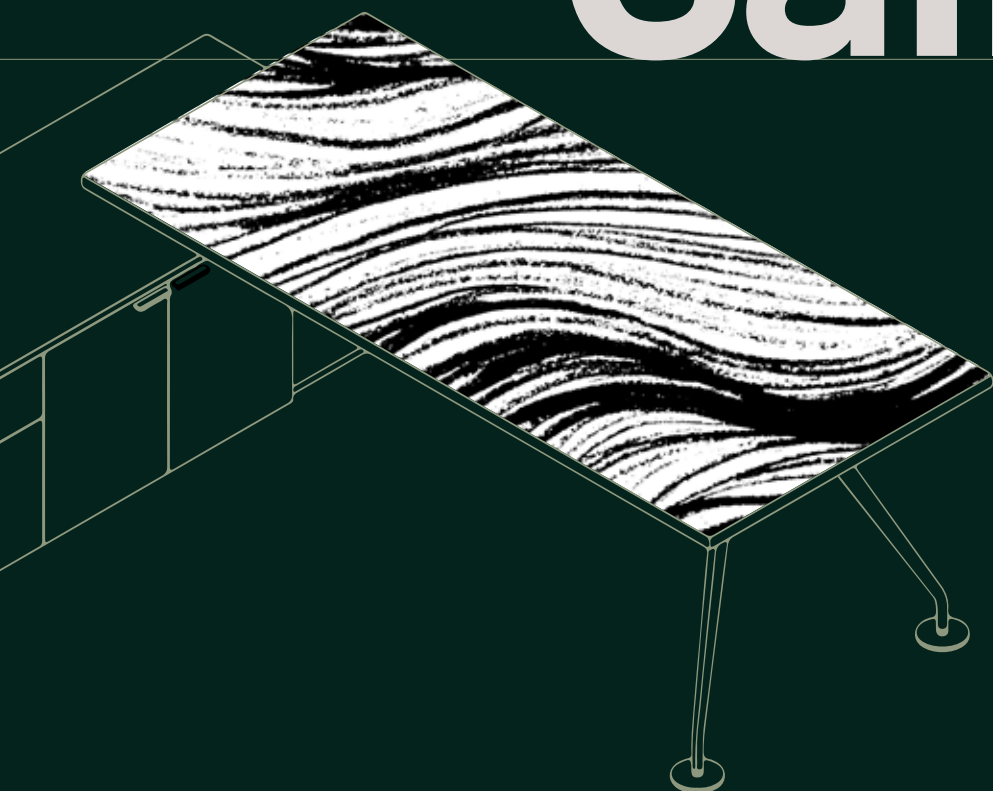


management desk  
TECHNICAL FILE

# Sail



BOS  
BARCELONA

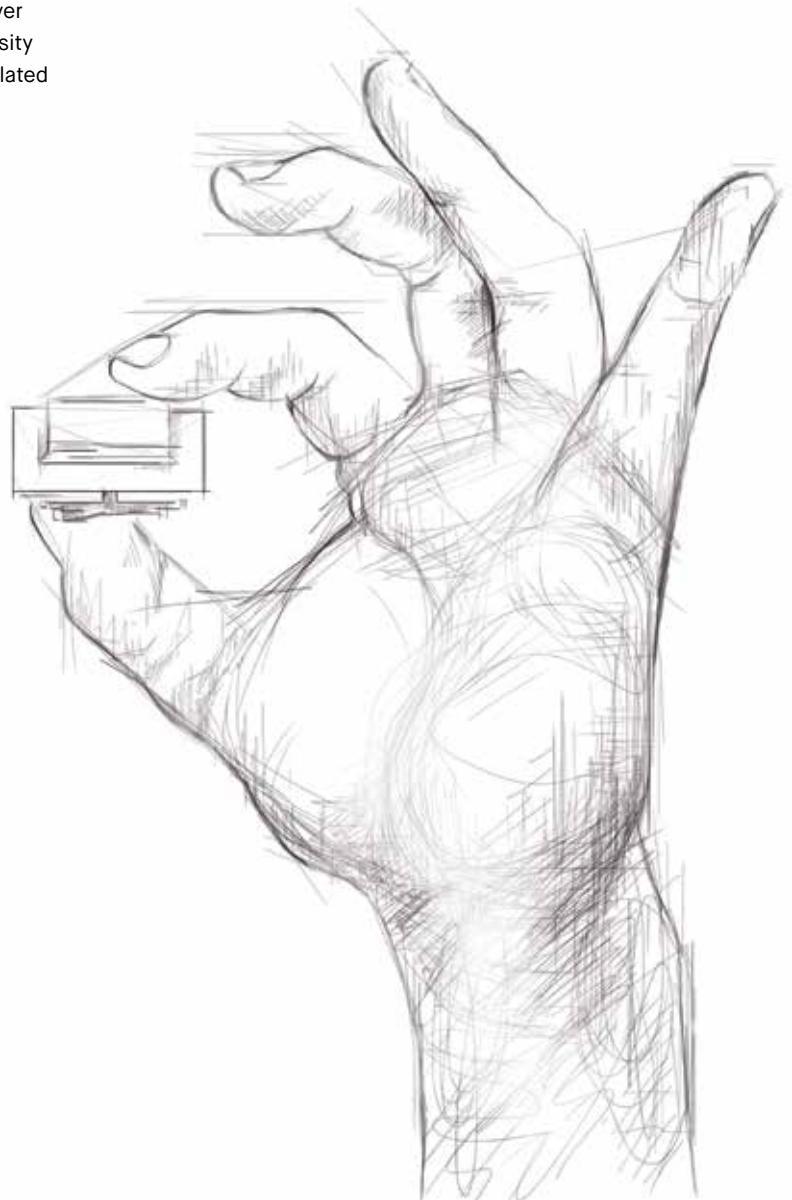
## Materials, Finishes & Quality

- Table top core is MDF Mediland quality LP classified as Class E1 according to European norm EN 622-1:2003 and density between 600-620KGS/m<sup>3</sup> which is maximum in furniture appliance.
- To achieve the piano lacquer finish a thick layer of lacquer is applied which afterwards goes through a 10 days manual polishing process with wool.
- All pieces come with three layers of polish with **sanding by hand** between each layer to achieve an optimal smooth adherence and durability.
- The wooden parts are all **polished** with lacquers of polyurethane with high content of solids to build a greater hardness without losing the sensation of the wooden touch.
- The decorating elements are made by **laser cut stainless steel** finished by hand.
- The structures are made of steel given an **exclusive treatment** which consist of niquel bath, lacquered and polished by hand.
- All tables are **finished by hand**, pre-assembled in the factory, numbered one by one to guarantee a perfect assembly for the final client.
- **Unique packaging** in reticulated polyethylene foam, triple layer of laminate polyethylene with hermetic bubbles 5x5 and density of 5400 bubbles/m<sup>2</sup>, corner protectors of high density reticulated polyethylene foam and cardboard box made to fit.



UNE-EN ISO  
9001:2015

UNE-EN ISO  
14001:2015

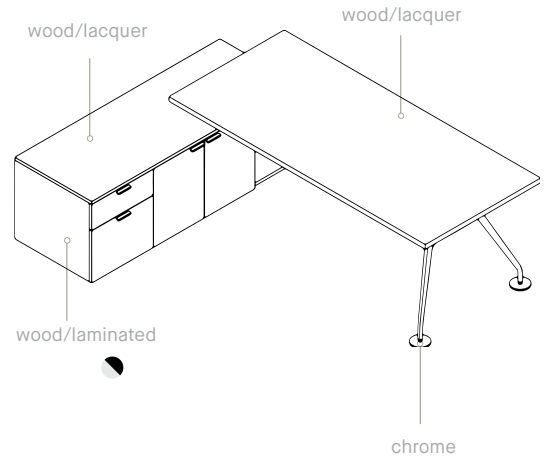


# SAIL

## TECHNICAL PRESENTATION

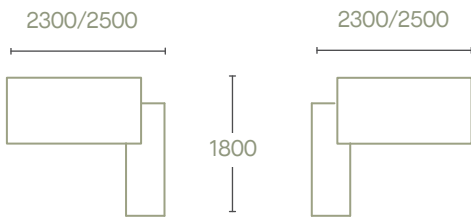
### Presidential desk

- Desk with MDF top of 30 mm with wood veneer or piano lacquer (**color customized as a special request**). Table top is supported by 2 lateral open steel legs with a tubular shape and solid steel base.
- The top is available with **central leather inlay in many different colors**. You can choose from natural genuine leather (serie 100) or eco leather (Fabric leather, Grain).
- The side return incorporates 3 drawers / drawer + filing, cabinet with shelf inside and CPU space. The return always incorporates a **round cable access in black finish**. There is the option of a cable box (Flip / Flop type) with 2 power + 2xRJ45 or custom configuration. **The box is made of steel and finish can be painted white, black or aluminum or chromed.**
- The desks come with **levelers for floor adjustment**.
- Option for modesty panel in wood or lacquer finish.



### Dimensions in mm

#### Office desks



#### Rerturn side credenzas



BOS BARCELONA

### Table top

#### Thickness



#### Shape



#### Finishes

Wood  
Lacquer

### Structure

#### Shapes



#### Finishes

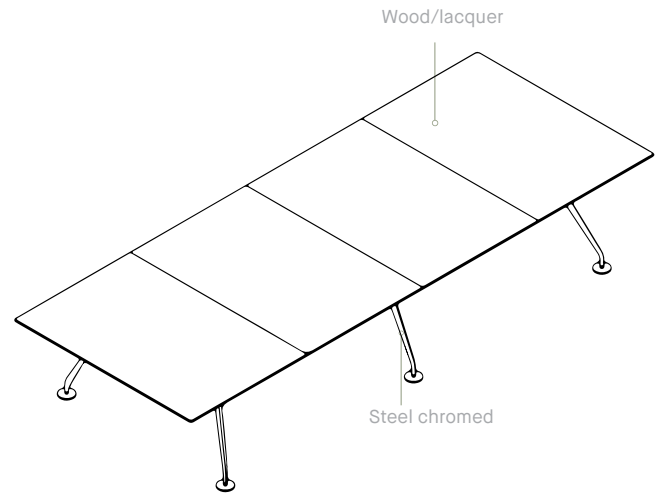
Steel chromed

# SAIL

## TECHNICAL PRESENTATION

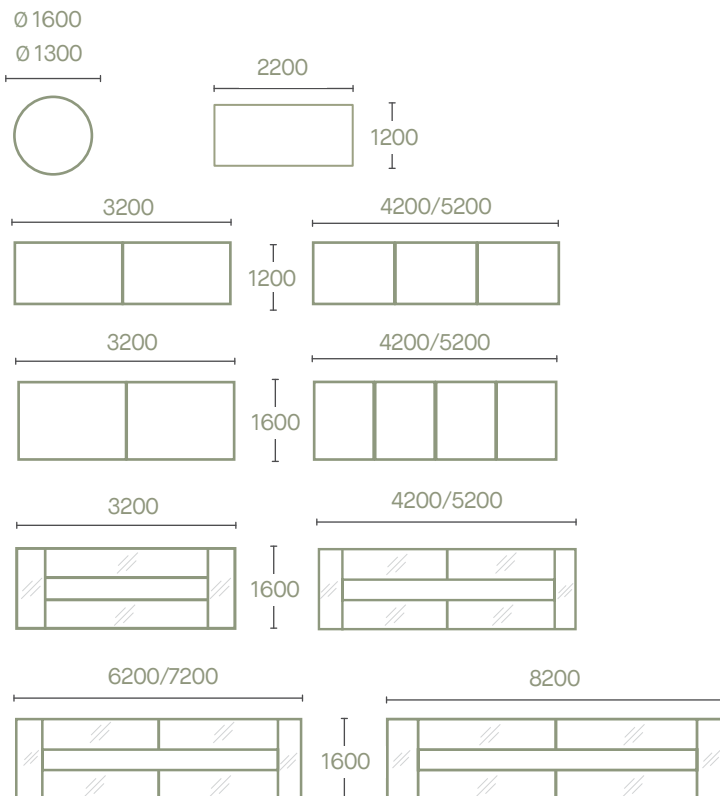
### Meeting table

- Conference table with **MDF standard top of 25+12 mm or 30 mm**.
- Conference table with natural veneer or piano lacquer finish (white/black). The piano lacquer finish **can be color customized as a special request**. Supporting steel structure. Tops with two materials can be made of veneer, lacquer, leather or glass.
- The conference tables with **cable management** needs a double short modesty panel to centrally locate cable boxes (Flip / Flop type) with box of 3 positions (2 power + 2xRJ45) 6 positions (4xpower + 2xRJ45 + 1xUSB 1xHDMI) or custom configuration. Vertical cable management via lateral lacquered leg or chromed cable spiral.



### Dimensions in mm

#### Meeting tables



### Table top

#### Thickness



30



25+12

#### Shape



#### Finishes

Lacquer  
Wood

Wood  
Lacquer  
Matt glass  
Leather

### Structure

#### Shapes



#### Finishes

Steel chromed

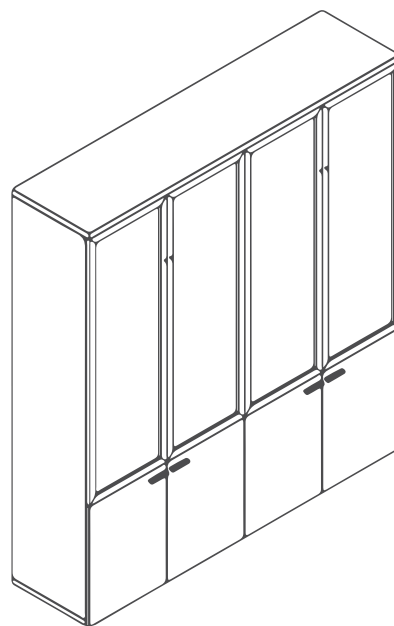
# SAIL

## TECHNICAL PRESENTATION

### STANDARD COLLECTION

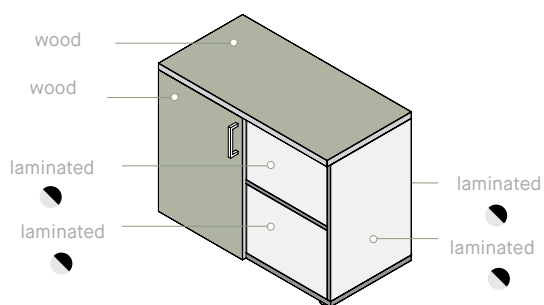
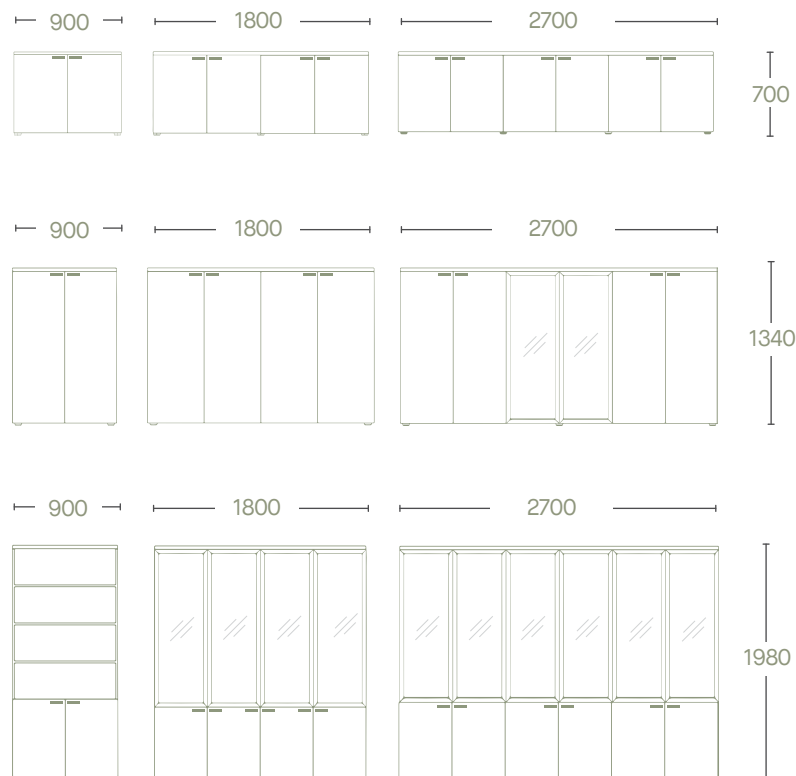
#### Credenzas & Bookcases

- Credenzas and bookcases from the **Standard collection** have tops and fronts made of wood.
- Structure of base, inner panels, back, shelves, doors and sides are laminated in white or black.
- Transparent glass doors option with aluminium profile.
- Accessories can be added as lockery system, hangers and pull out filing drawers.



#### Dimensions in mm

##### credenzas & bookcases compositions



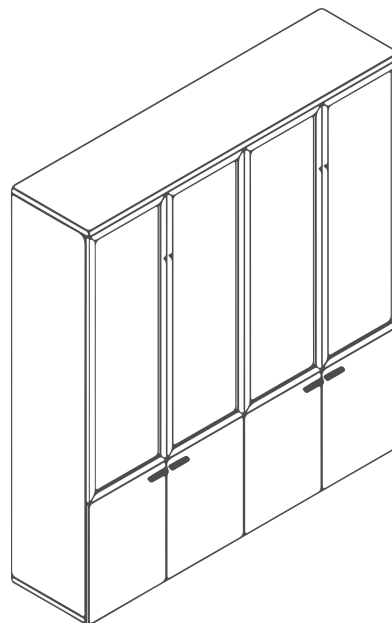
# SAIL

## TECHNICAL PRESENTATION

### PREMIUM COLLECTION

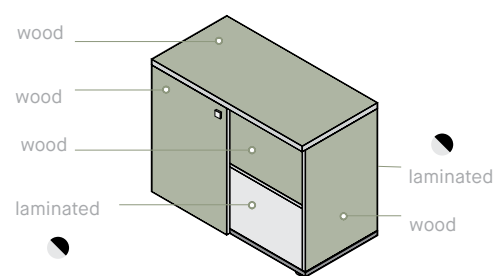
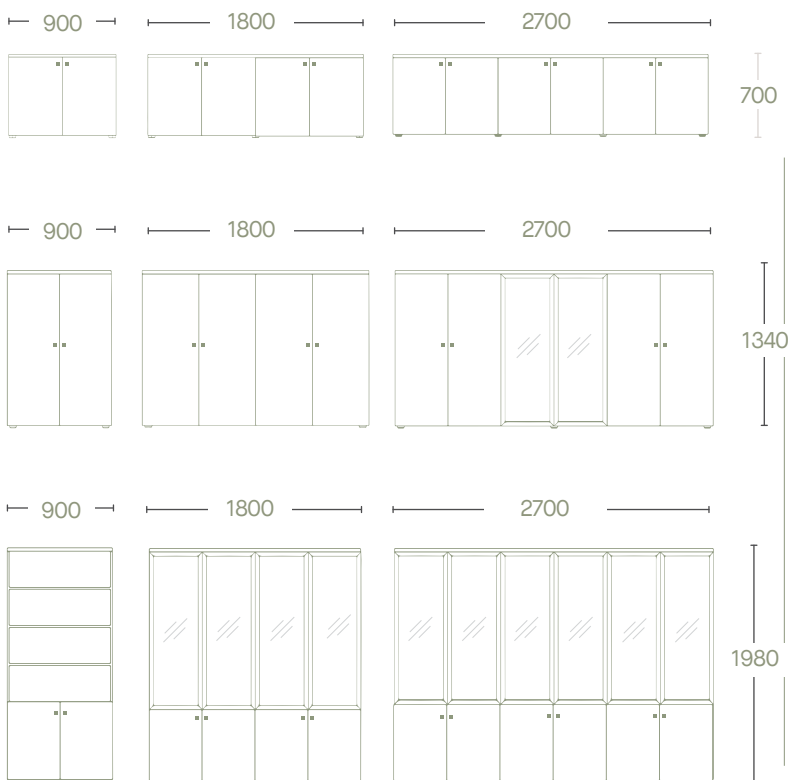
#### Credenzas & Bookcases

- Credenzas and bookcases from the **Premium collection** have tops, fronts, shelves, doors and sides in wood or piano lacquer.
- Transparent glass doors option with aluminium profile.
- Structure of base, inner panels and back, are in laminate white or black.
- Accessories can be added as lockery system, hangers and pull out filing drawers.



### Dimensions in mm

#### credenzas & bookcases compositions



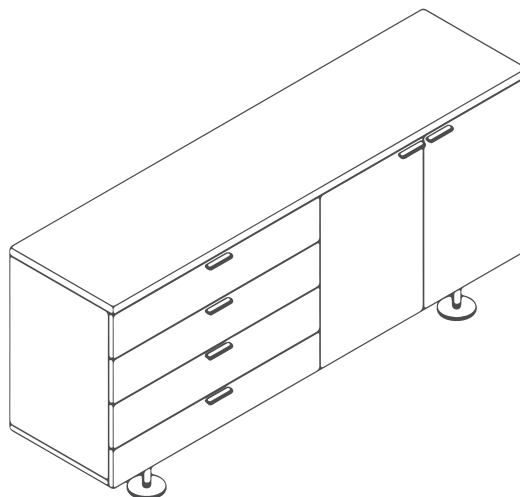
# SAIL

## TECHNICAL PRESENTATION

### SINGULAR BOOKCASES

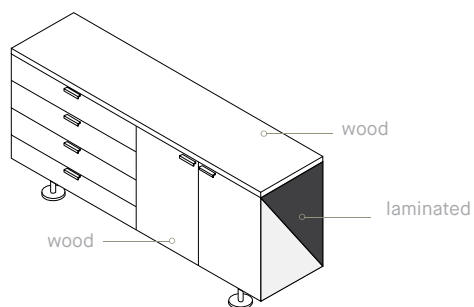
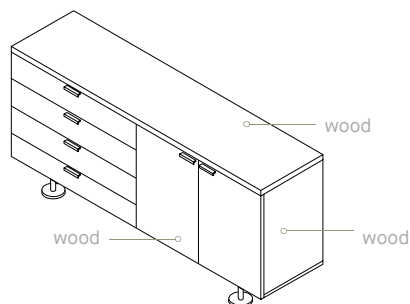
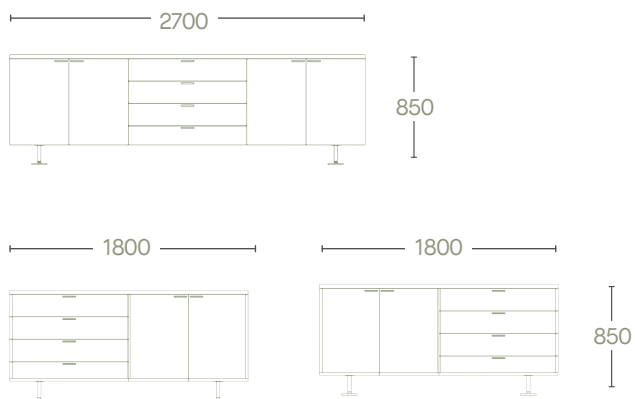
#### Credenzas & Bookcases

- Credenzas made of a black/ white melamine structure finished with natural wood or piano lacquer top and doors.
- Credenzas with tops, fronts, shelves and sides in wood or piano lacquer and rest in melamine black or white or from luxury collection which are made with modules in black/ white shiny lacquer with either wooden or piano lacquered shelves or doors. To finish the composition you need to finish with top and side panels.
- Feet with solid steel chromed finish.
- Option for 4 drawers module.



#### Dimensions in mm

##### credenzas & bookcases compositions

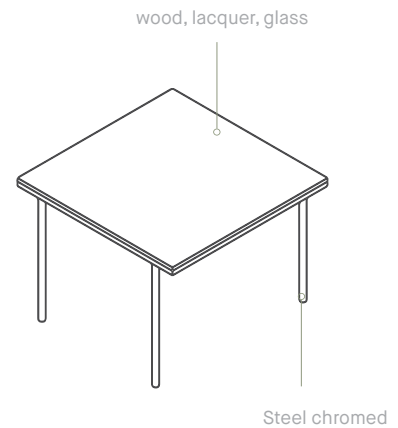


# SAIL

## TECHNICAL PRESENTATION

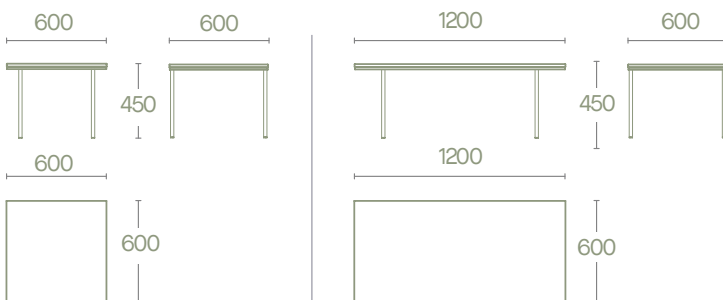
### Occasional tables

- Occasional table with **MDF top of 20 mm and 5+5 mm.**
- Coffee tables with steel structure in painted (black, white or aluminum) or chromed finish and tops finished in natural wood veneer, white/black piano lacquer or frosted glass.



### Dimensions in mm

#### Coffee tables

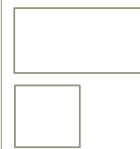


### Table top

#### Thickness



#### Shape



#### Finishes

Wood  
Lacquer  
Matt glass

### Structure

#### Finishes

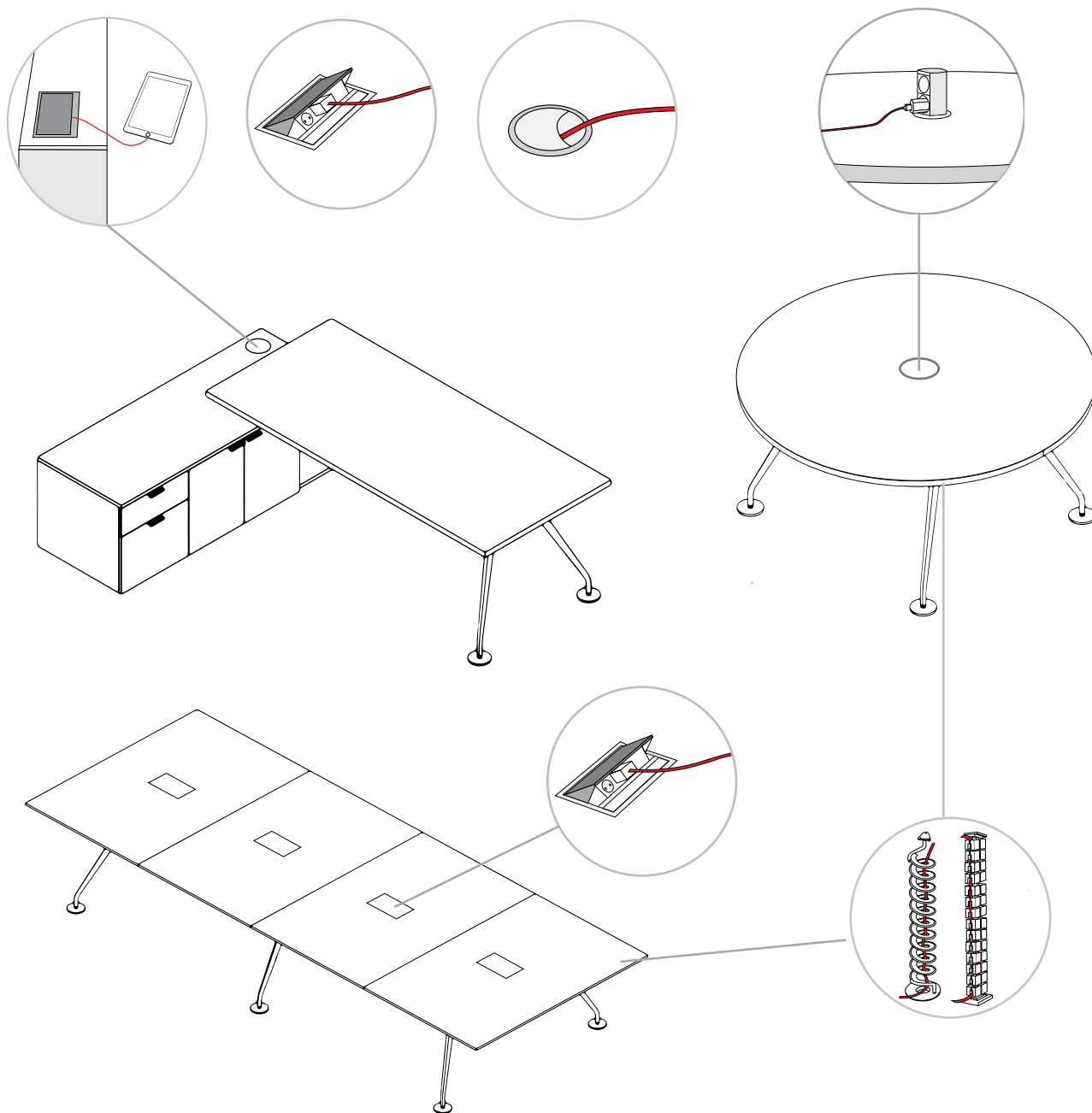
Steel chromed



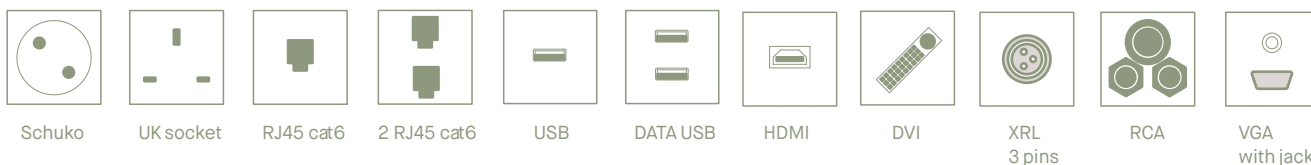
# SAIL

## CABLE MANAGEMENT

Presidential desk & meeting tables



### Powerstrip options - Power strip three positions



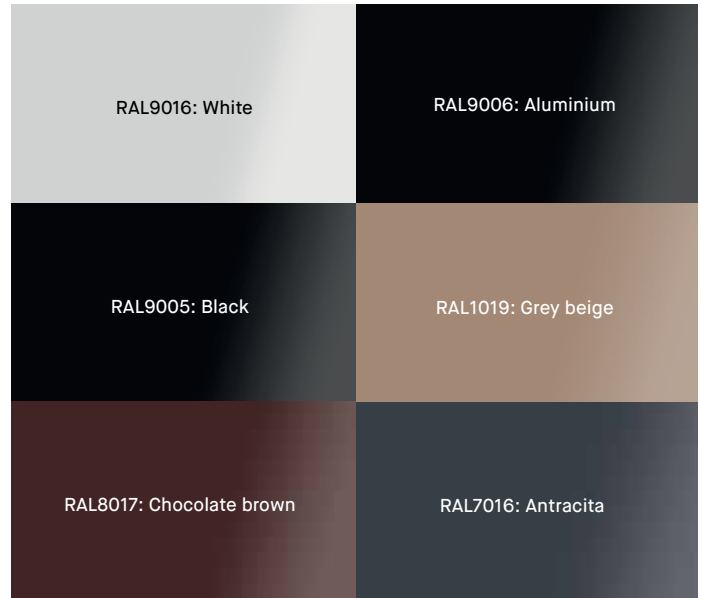


# SAIL FINISHES

## Wood



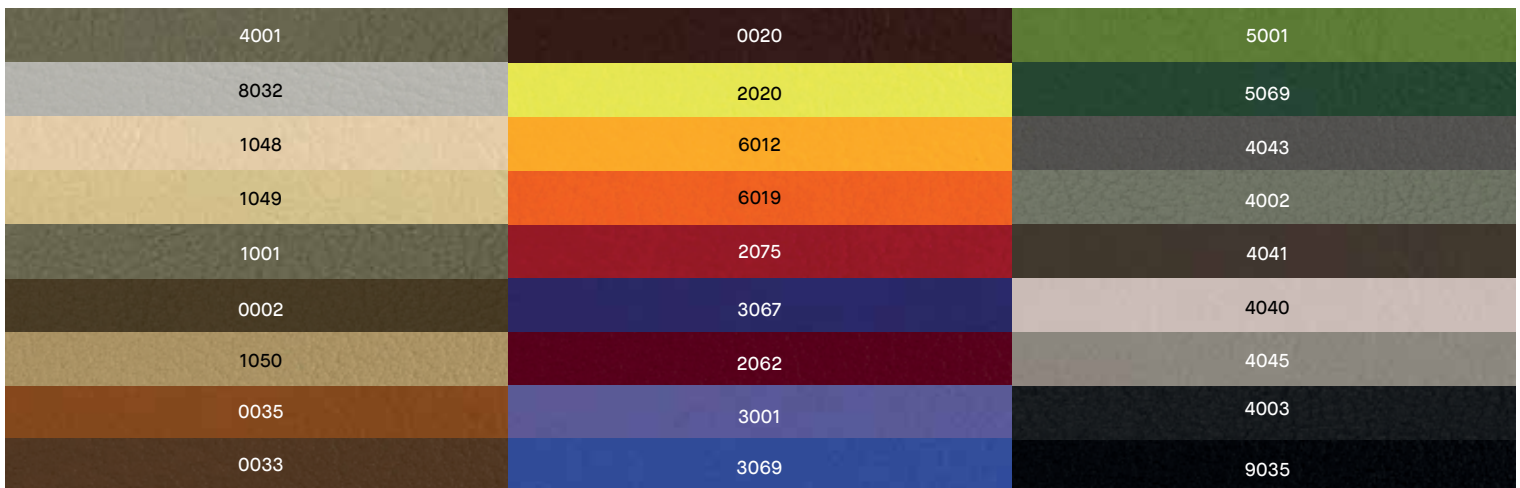
## Lacquer (matt / piano)



## Natural Leather - S100



## ECO leather - Valencia





**Headquarters**  
Av. Diagonal 456  
08006 Barcelona, Spain

**Sales enquiries**  
[info@bosbarcelona.com](mailto:info@bosbarcelona.com)  
T. +34 932 370 942

[www.bosbarcelona.com](http://www.bosbarcelona.com)