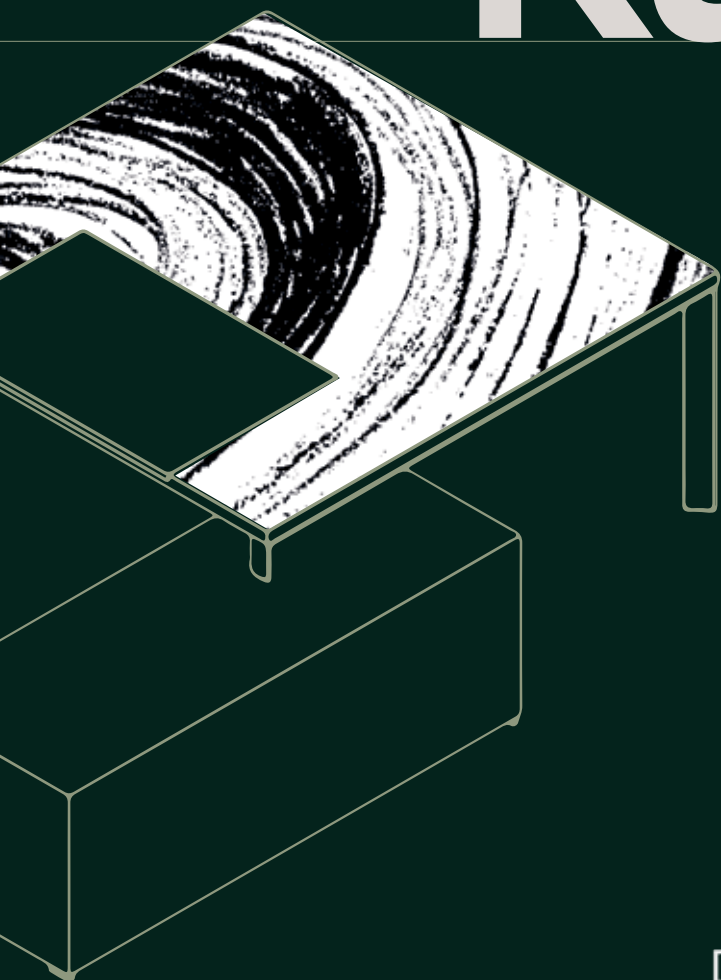


management desk
TECHNICAL FILE

Kubo



BOS
BARCELONA

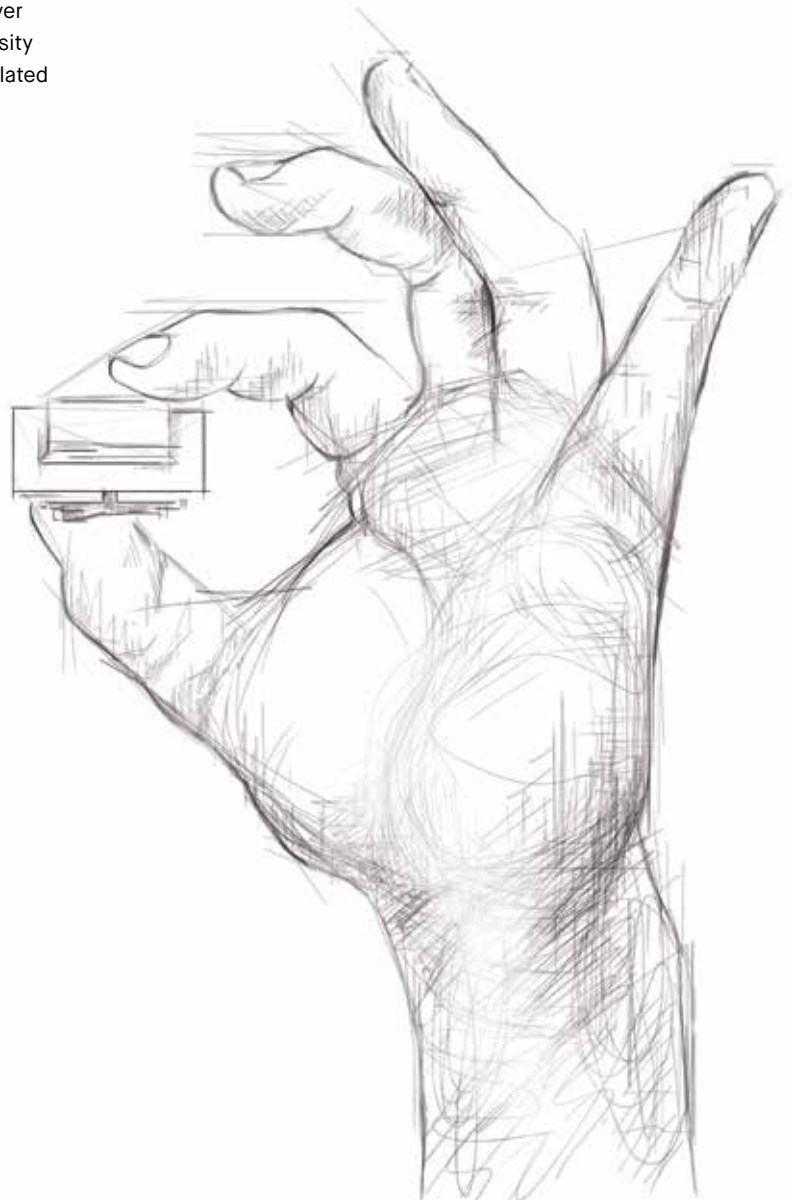
Materials, Finishes & Quality

- Table top core is MDF Mediland quality LP classified as Class E1 according to European norm EN 622-1:2003 and density between 600-620KGS/m³ which is maximum in furniture appliance.
- To achieve the piano lacquer finish a thick layer of lacquer is applied which afterwards goes through a 10 days manual polishing process with wool.
- All pieces come with three layers of polish with **sanding by hand** between each layer to achieve an optimal smooth adherence and durability.
- The wooden parts are all **polished** with lacquers of polyurethane with high content of solids to build a greater hardness without losing the sensation of the wooden touch.
- The decorating elements are made by **laser cut stainless steel** finished by hand.
- The structures are made of steel given an **exclusive treatment** which consist of niquel bath, lacquered and polished by hand.
- All tables are **finished by hand**, pre-assembled in the factory, numbered one by one to guarantee a perfect assembly for the final client.
- **Unique packaging** in reticulated polyethylene foam, triple layer of laminate polyethylene with hermetic bubbles 5x5 and density of 5400 bubbles/m², corner protectors of high density reticulated polyethylene foam and cardboard box made to fit.



UNE-EN ISO
9001:2015

UNE-EN ISO
14001:2015

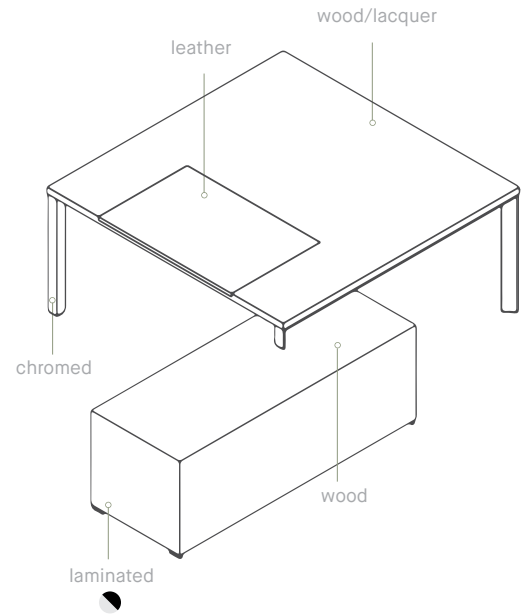


KUBO

TECHNICAL PRESENTATION

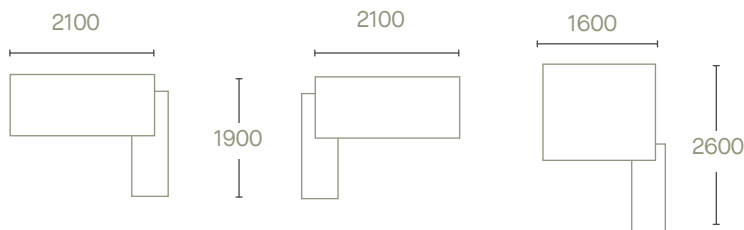
Management desk

- **Desk with MDF top of 30 mm** with wood veneer or piano lacquer (**color customized as a special request**). Table top is supported by 2 lateral steel legs made with rectangular steel tube of 70x20x1,5mm in painted (black, white or aluminum) or chromed finish.
- The freestanding desk has a structural short modesty panel in wood or piano lacquer and the option of a long modesty panel in same finishes. The **desk supported on a full storage side return** always has a long modesty panel in wood or piano lacquer finish. The modesty panel integrates nicely in the design of the desk and covers exact height of side return.
- The top is available with **central leather inlay in many different colors**. You can choose from natural genuine leather (serie 100) or eco leather (Fabric leather, Grain).
- The side return incorporates 3 drawers / drawer + filing, cabinet with shelf inside and CPU space. The return always incorporates a **round cable access** in black finish. There is the option of a cable box (Flip / Flop type) with 2 power + 2xRJ45 or custom configuration. **The box is made of steel and finish can be painted white, black or aluminum or chromed**
- The structural beam is connected to table top with fittings Din7991 of 6x40mm. The 2 steel frames are connected by a structural steel beam of 40x25x1,5mm.
- The desks come with **levelers for floor adjustment**

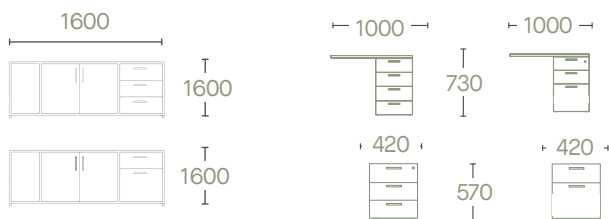


Dimensions in mm

Office desks



Return side credenzas



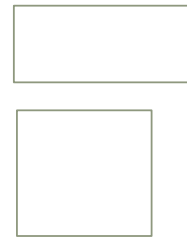
BOS BARCELONA

Table top

Thickness



Shape



Finishes

Wood
Lacquer
Laminated
Leather

Structure

Shapes



Finishes

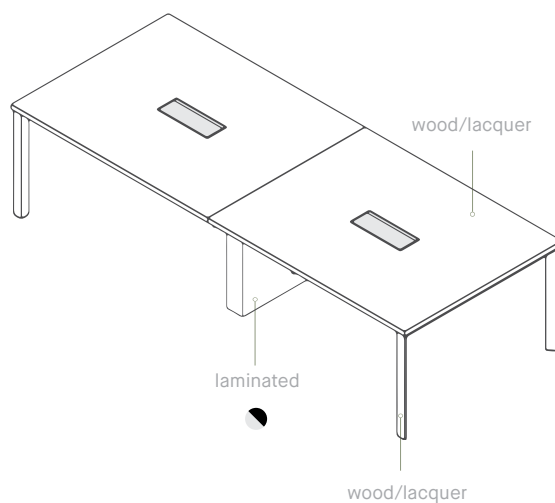
Chromed

KUBO

TECHNICAL PRESENTATION

Meeting table

- Conference table made of **MDF top of 30 mm with interior reinforced steel structure top** with steel tubes of 40 x 30 x 1,5 mm painted and protected against corrosion.
- Conference table with natural veneer or piano lacquer finish (white/black). The piano lacquer finish **can be color customized as a special request**. The supporting steel structure in painted (black, white or aluminum) or chromed finish. **The structure incorporates a central structural short modesty panel** in wood or piano lacquer finish.
- The conference tables with **cable management** needs a double short modesty panel to centrally locate cable boxes (Flip / Flop type) with box of 3 positions (2 power + 2xRJ45) 6 positions (4xpower + 2xRJ45 + 1xUSB 1xHDMI) or custom configuration. Vertical cable management via lateral lacquered leg or chromed cable spiral.



Dimensions in mm

Meeting tables

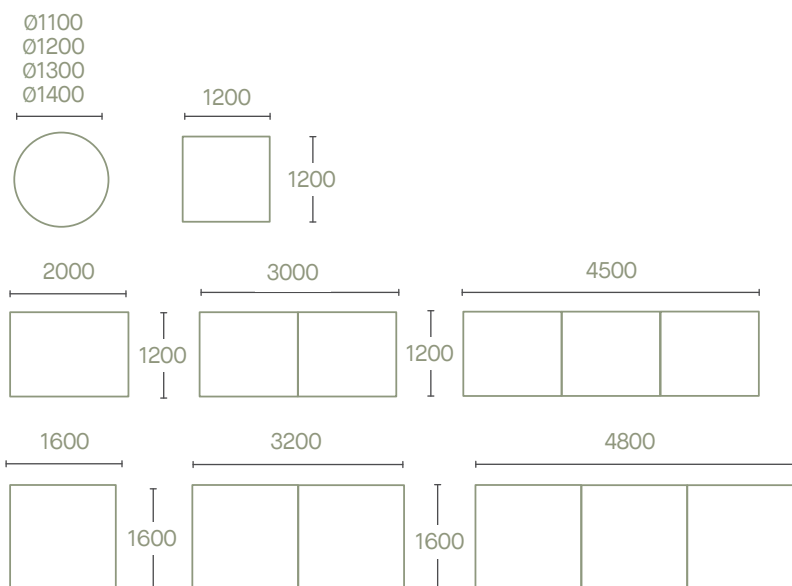


Table top

Thickness	Shape	Finishes
 30		Wood Lacquer
Structure		Finishes
Shapes 50/60 Ø600 Ø700 600	Steel chromed	

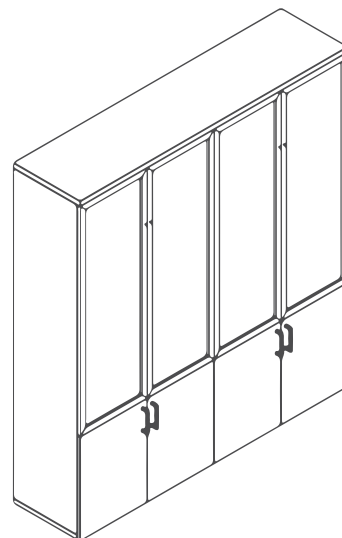
KUBO

TECHNICAL PRESENTATION

STANDARD COLLECTION

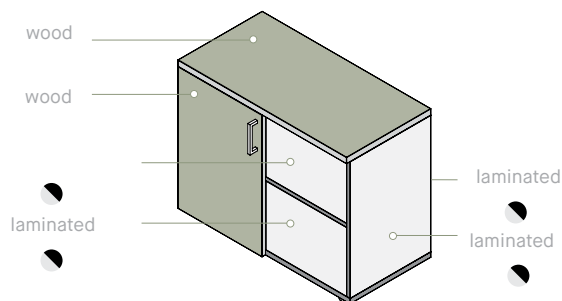
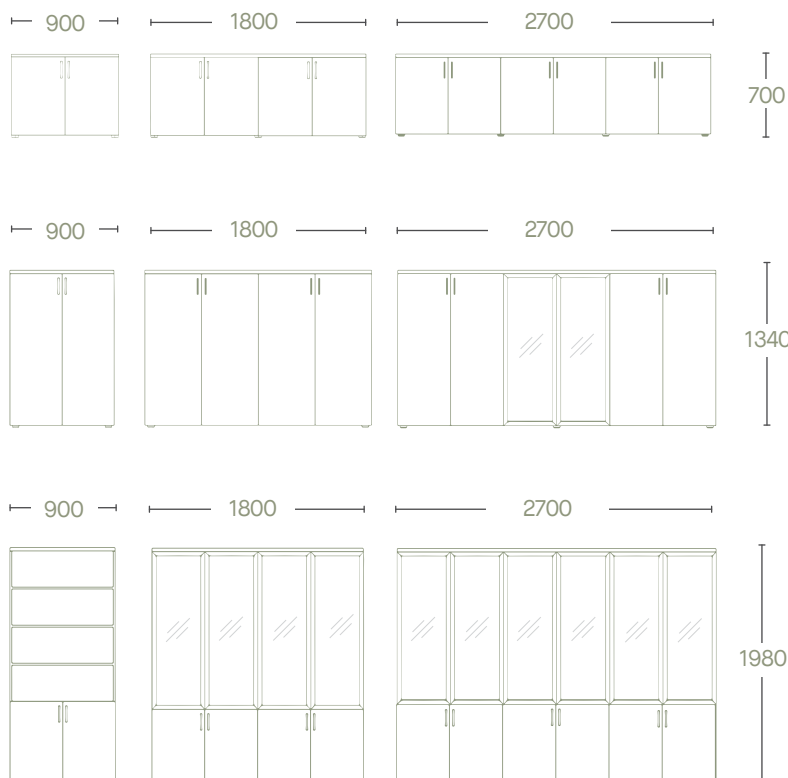
Credenzas & Bookcases

- Credenzas and bookcases from the **Standard collection** have tops and fronts made of wood.
- Structure of base, inner panels, back, shelves, doors and sides are laminated in white or black.
- Transparent glass doors option with aluminium profile.
- Accessories can be added as lockery system, hangers and pull out filing drawers.



Dimensions in mm

credenzas & bookcases compositions

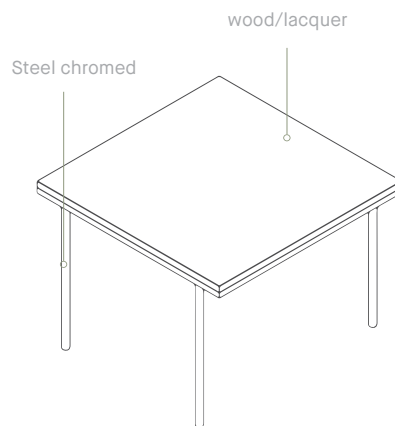


KUBO

TECHNICAL PRESENTATION

Occasional tables

- Occasional table with **MDF top of 19 mm.**
- Coffee tables with steel structure in painted (black, white or aluminum) or chromed finish and tops finished in natural wood veneer, white/black piano lacquer or frosted glass



Dimensions in mm

Coffee tables

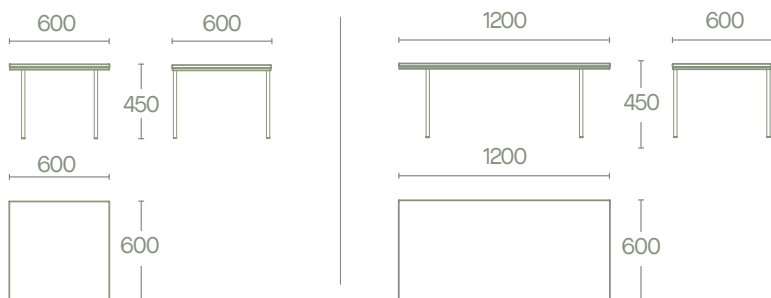


Table top

Thickness



Shape



Finishes

Wood
Lacquer

Structure

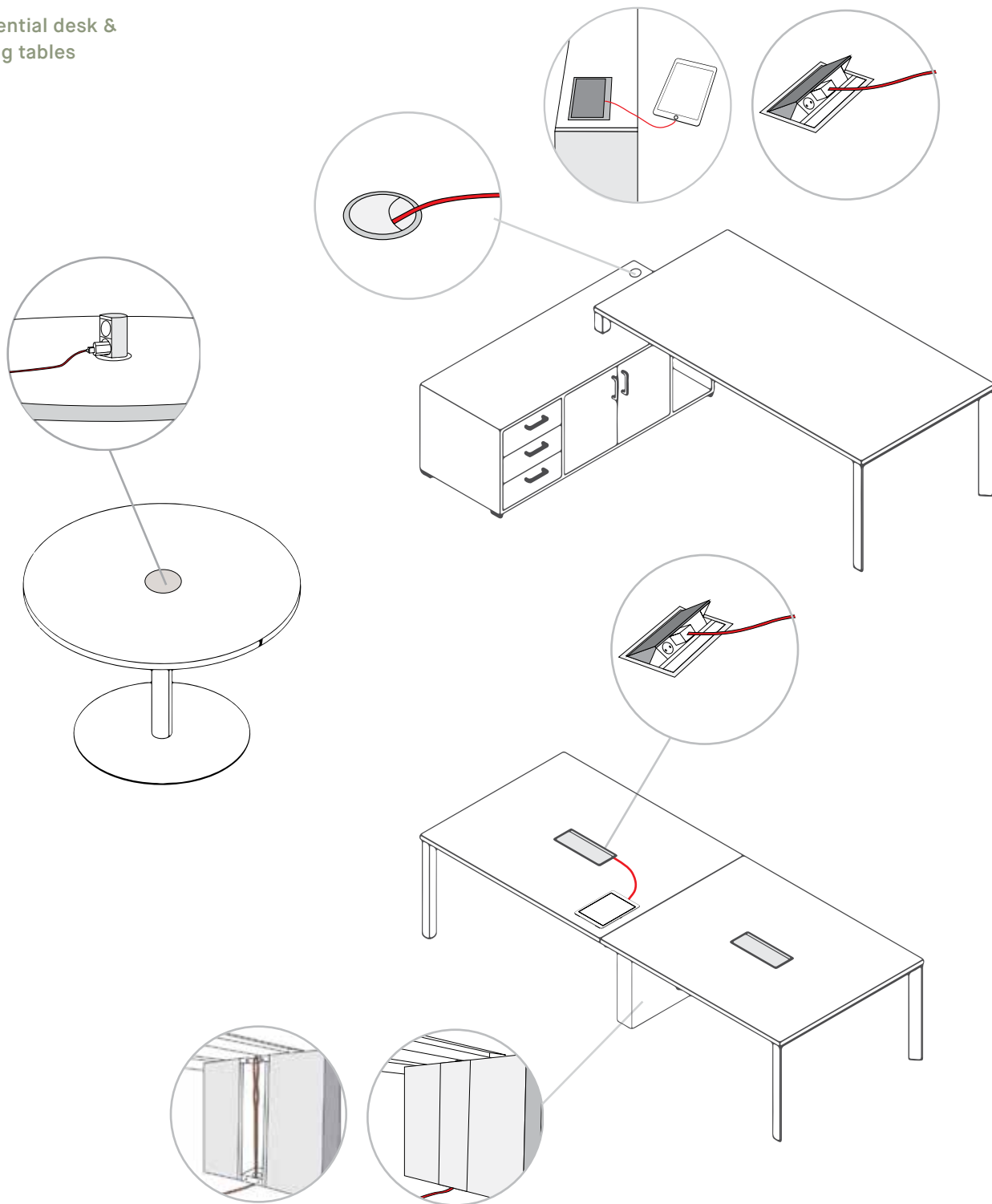
Finishes

Steel chromed

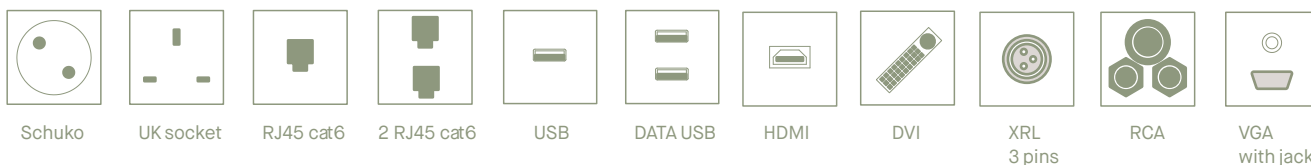
KUBO

CABLE MANAGEMENT

Presidential desk & meeting tables



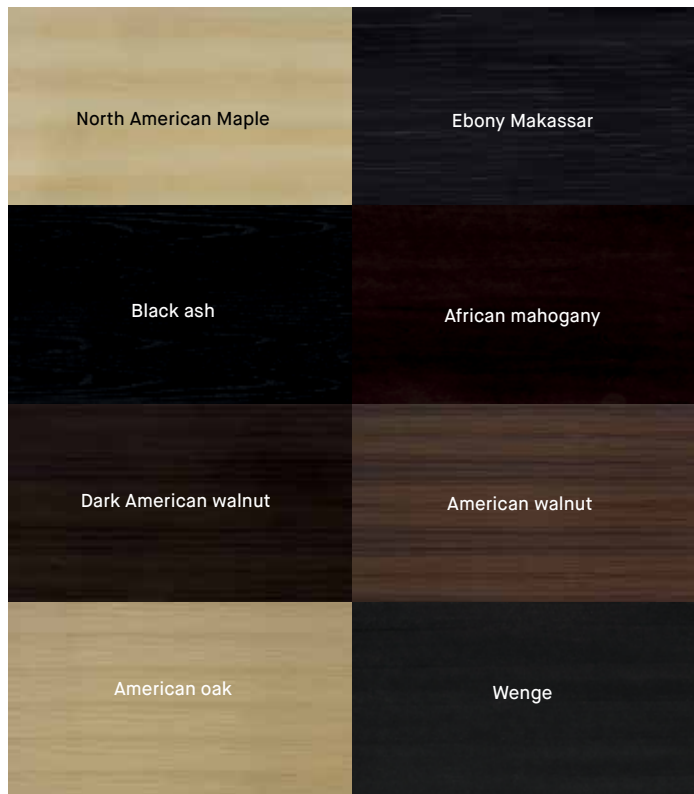
Powerstrip options - Power strip three positions



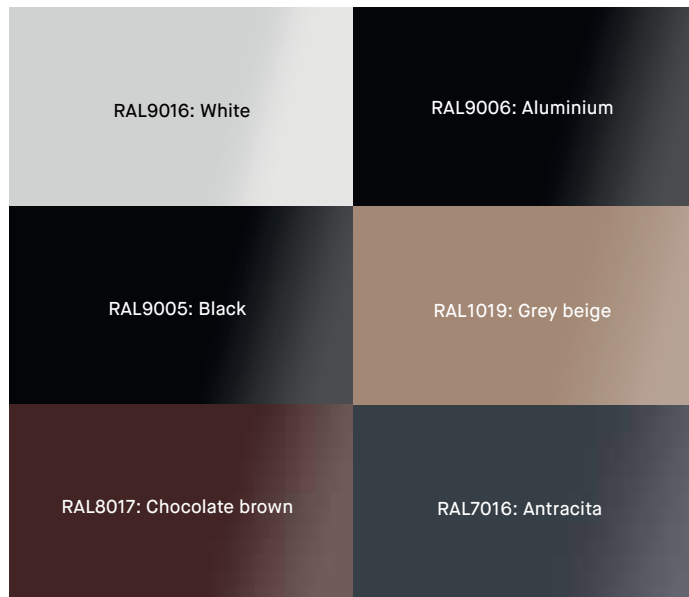


KUBO FINISHES

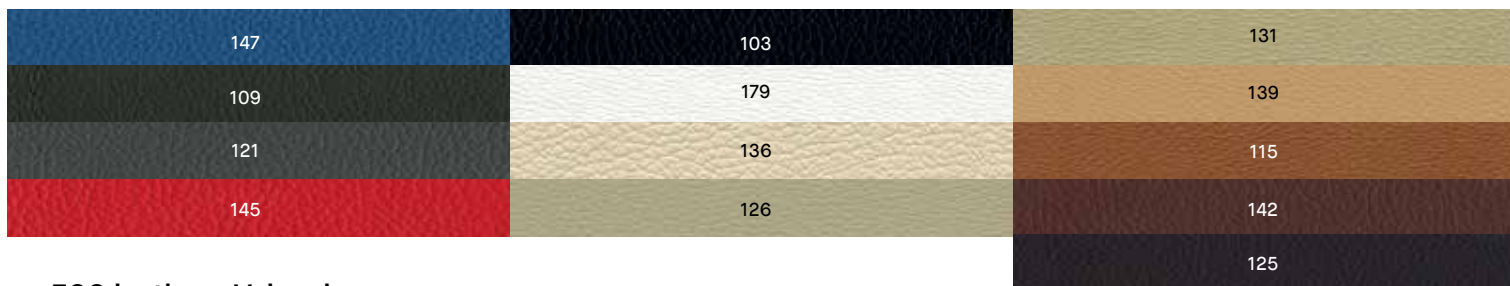
Wood



Lacquer (matt / piano)



Natural Leather - S100



ECO leather - Valencia





Headquarters
Av. Diagonal 456
08006 Barcelona, Spain

Sales enquiries
info@bosbarcelona.com
T. +34 932 370 942

www.bosbarcelona.com