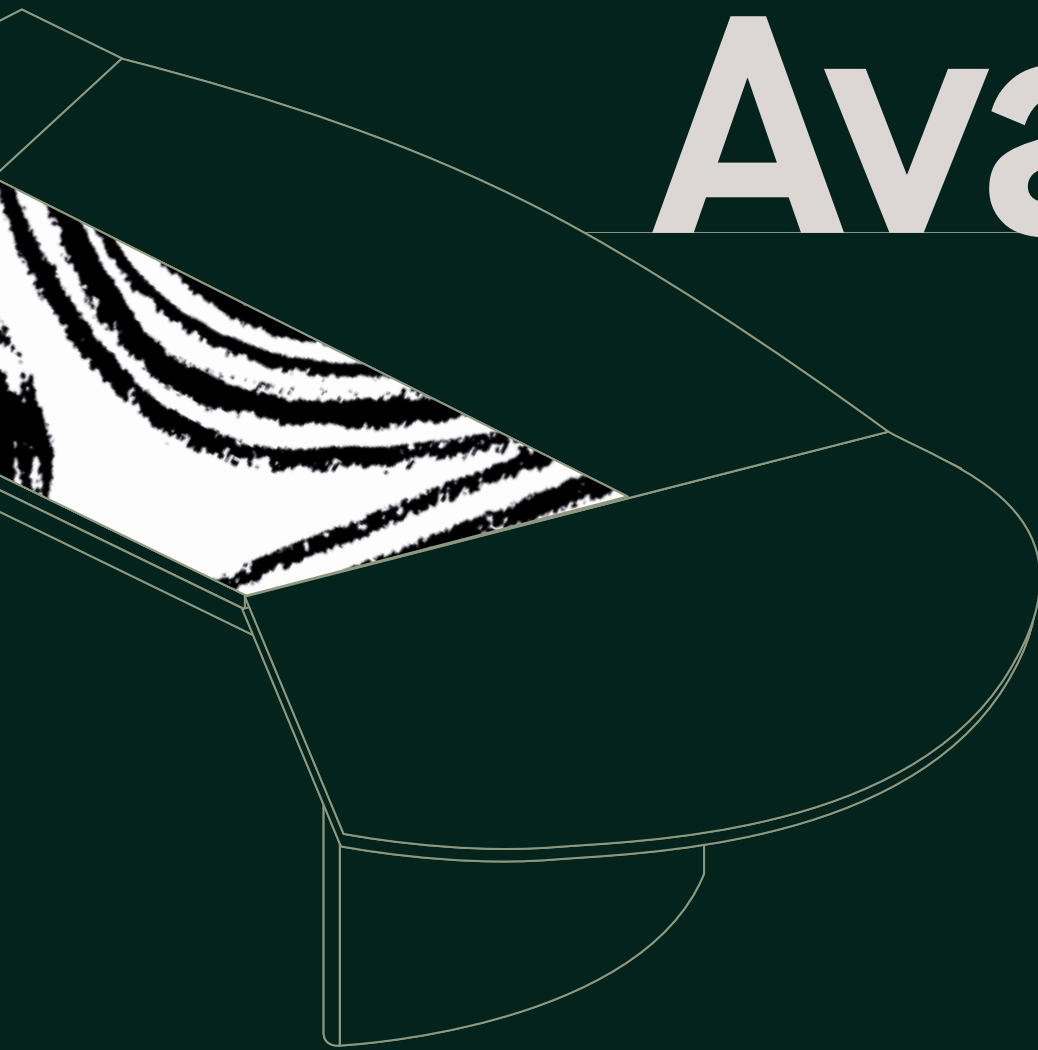


top management desk  
**TECHNICAL FILE**

# Avant



**BOS**  
BARCELONA  
— SINCE 1964 —

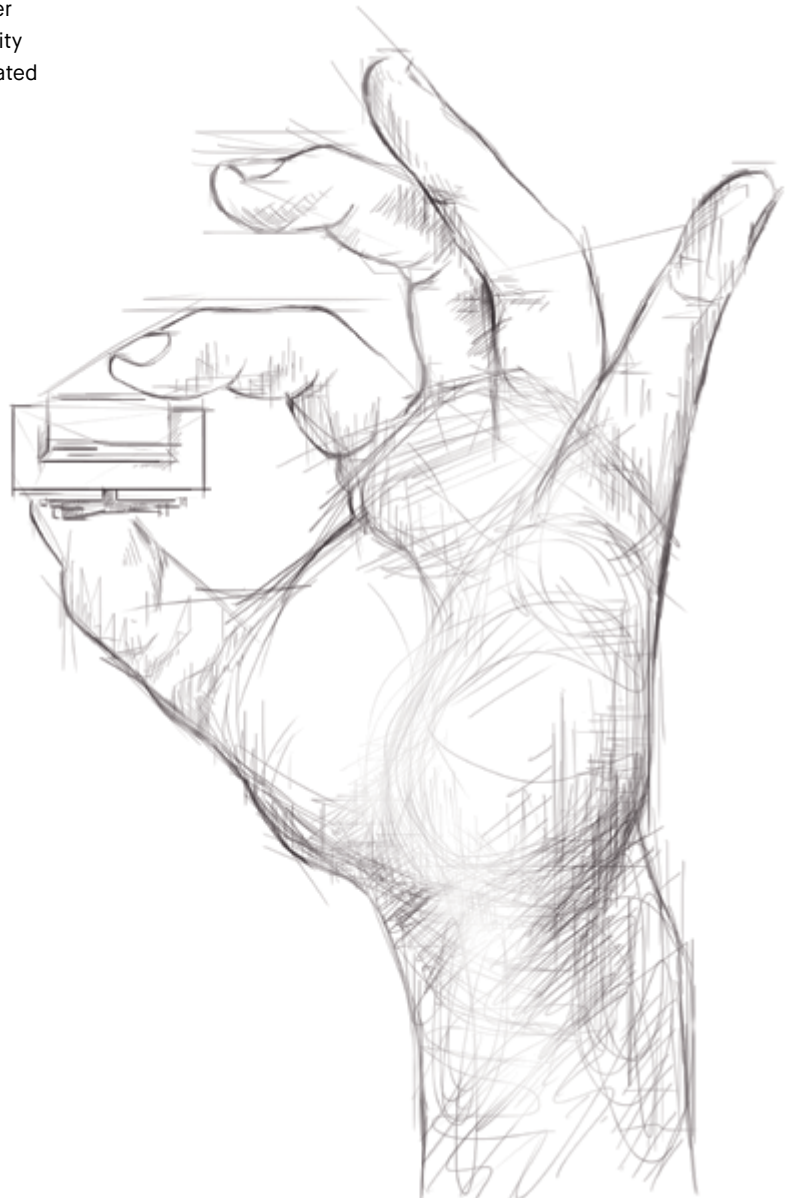
## Materials, Finishes & Quality

- Table top core is MDF Mediland quality LP classified as Class E1 according to European norm EN 622-1:2003 and density between 600-620KGS/m<sup>3</sup> which is maximum in furniture appliance.
- To achieve the piano lacquer finish a thick layer of lacquer is applied which afterwards goes through a 10 days manual polishing process with wool.
- All pieces come with three layers of polish with **sanding by hand** between each layer to achieve an optimal smooth adherence and durability.
- The wooden parts are all **polished** with lacquers of polyurethane with high content of solids to build a greater hardness without losing the sensation of the wooden touch.
- The decorating elements are made by **laser cut stainless steel** finished by hand.
- The structures are made of steel given an **exclusive treatment** which consist of niquel bath, lacquered and polished by hand.
- All tables are **finished by hand**, pre-assembled in the factory, numbered one by one to guarantee a perfect assembly for the final client.
- **Unique packaging** in reticulated polyethylene foam, triple layer of laminate polyethylene with hermetic bubbles 5x5 and density of 5400 bubbles/m<sup>2</sup>, corner protectors of high density reticulated polyethylene foam and cardboard box made to fit.



UNE-EN ISO  
9001:2015

UNE-EN ISO  
14001:2015

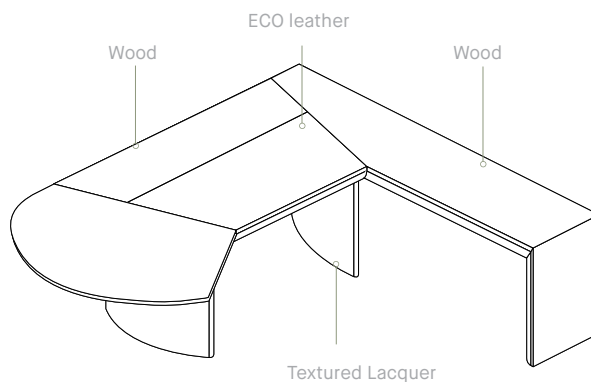


# AVANT

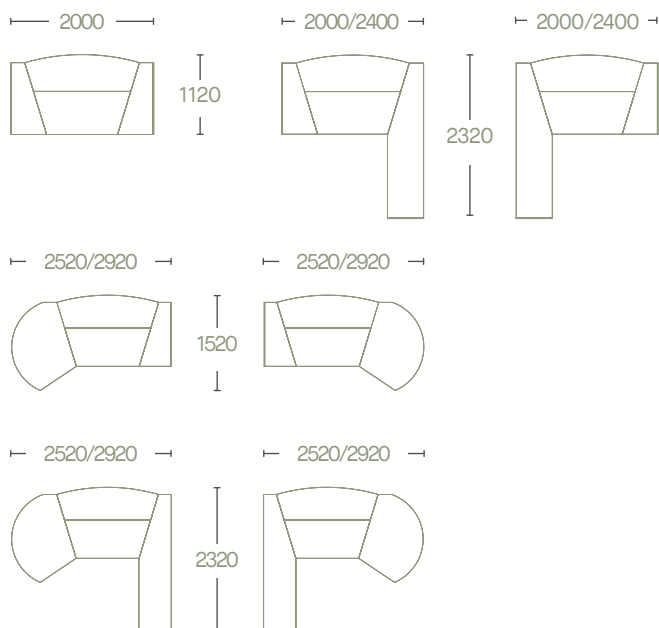
## TECHNICAL PRESENTATION

### Top Management desk



- Desk with MDF top of 25 + 65 mm in natural wood veneer.
- The top is covered with **central leather inlay** in different colors.
- The desk is available as free standing or **supported on a left/right side return**. Is also available with a rounded **left/right side top** that increases the size of the table.
- Desk is available with an optional long modesty panel and it is fitted with **chromed cable access point** on top.
- The desks come with **levelers for floor adjustment**
- The desk has the **option of a long modesty panel** in textured lacquer finish. The modesty panel integrates nicely in the design of the desk.



### Dimensions in mm



### Table top

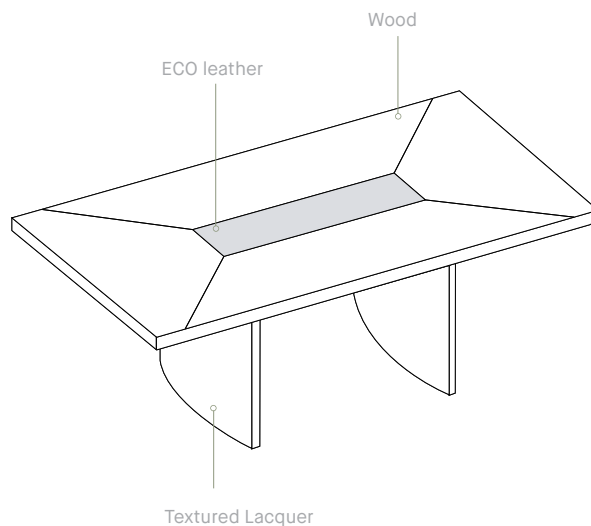
<p><b>Thickness</b></p>  25+65	<p><b>Finishes</b></p> <p>Wood ECO leather</p>
<p><b>Structure</b></p> <p><b>Shapes</b></p>  140	<p><b>Finishes</b></p> <p>Textured Lacquer</p>

# AVANT

## TECHNICAL PRESENTATION

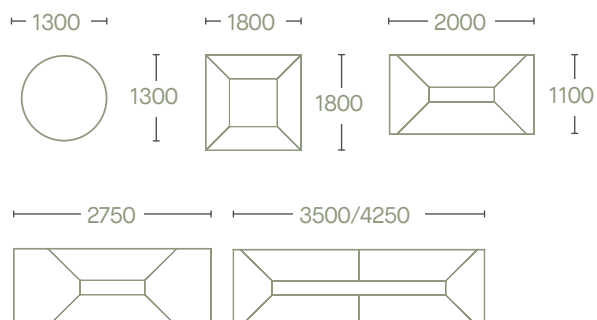
### Conference tables

- Conference table with **MDF top of 25 + 65 mm.**
- The conference tables with **optional cable management** through chromed cable boxes and central wide leg with vertical wiring capability
- Conference table top with natural veneer.



### Dimensions in mm

#### Meeting tables



### Table top

#### Thickness



#### Shape



#### Finishes

Wood  
Textured Lacquer

### Structure

#### Shapes



#### Finishes

Textured Laquer

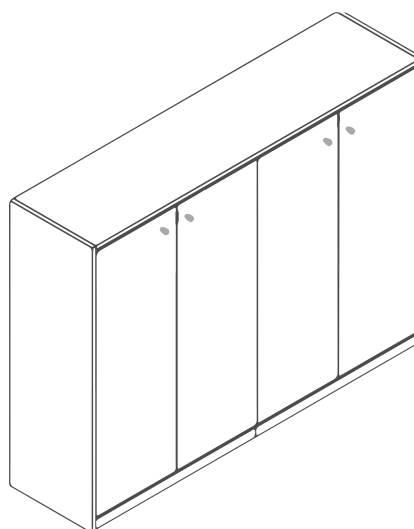
## AVANT

### TECHNICAL PRESENTATION

#### LUXURY COLLECTION

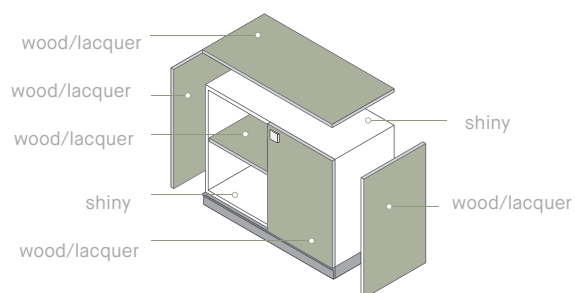
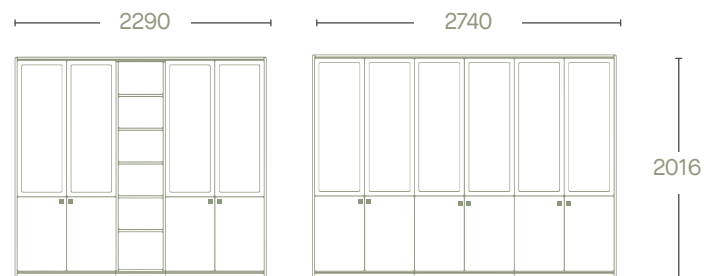
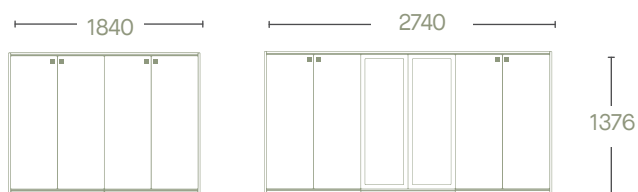
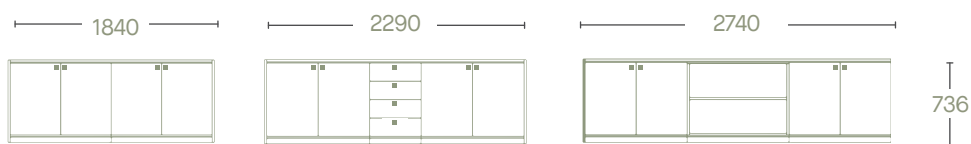
##### Credenzas & Bookcases

- Credenzas and bookcases from the **luxury collection** which are made with modules of 450 or 900 mm width, in black/white shiny lacquer with wooden or piano lacquered shelves or doors. To finish the composition you need to finish with top and side panels.
- Modules are either open or closed with **wooden/piano lacquered doors or transparent glass doors** with aluminium profile.
- There is a specific module which is prepared for incorporation of refrigerator to make a bar module.
- Credenzas offer the possibility of a module with 4 drawers.



### Dimensions in mm

#### credenzas & bookcases compositions

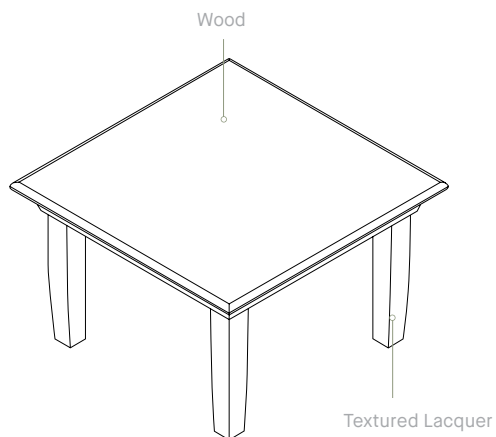


# AVANT

## TECHNICAL PRESENTATION

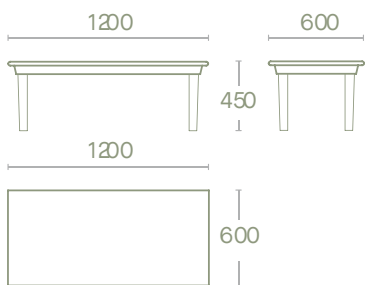
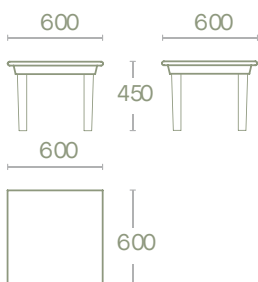
### Occasional tables

- Matching coffee tables with **MDF top of 60 mm** in natural leather and legs of 60mm in piano lacquer or wood.



### Dimensions in mm

#### Occasional tables

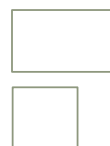


### Table top

#### Thickness



#### Shape



#### Finishes

Wood

### Structure

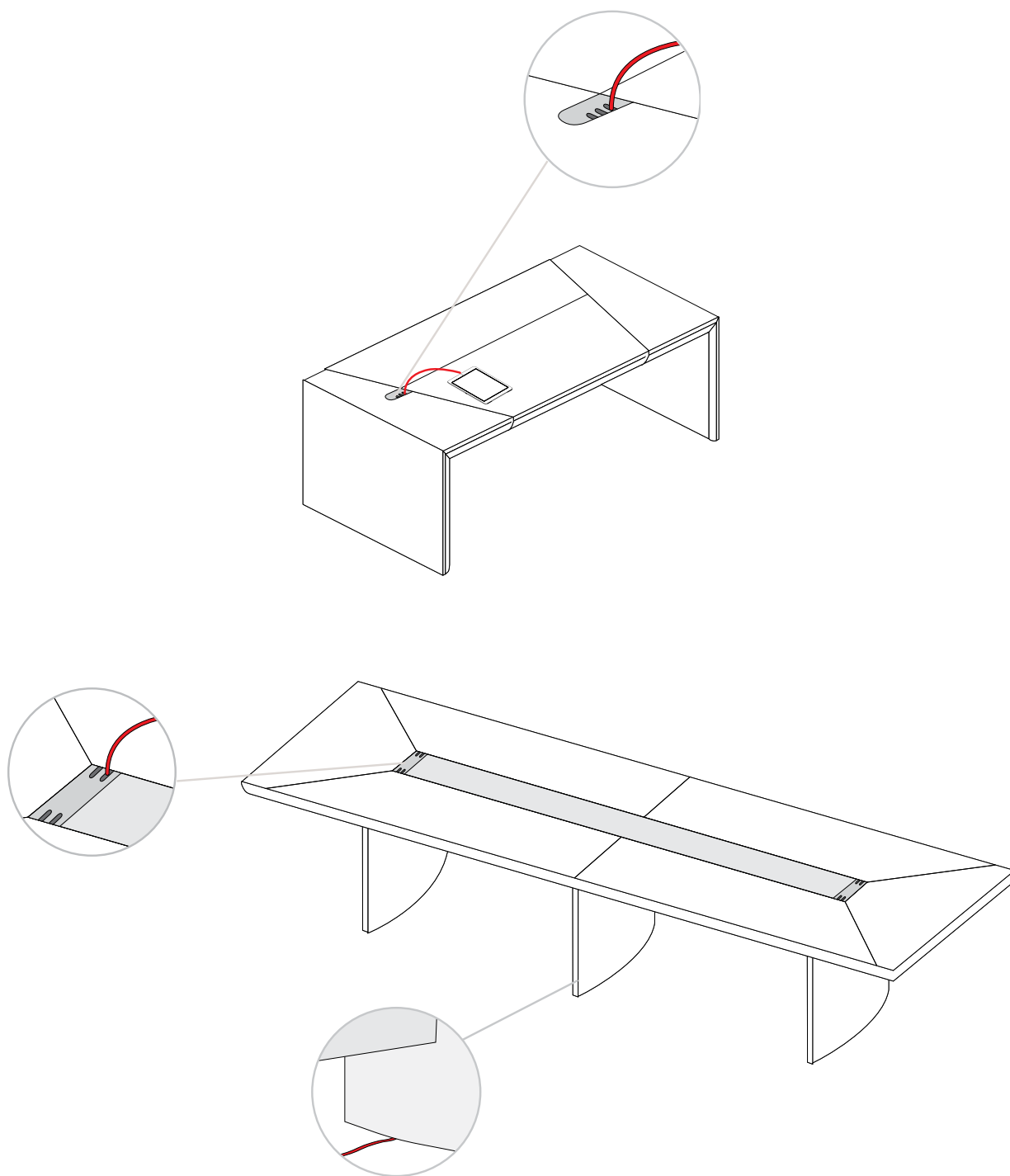
#### Shape

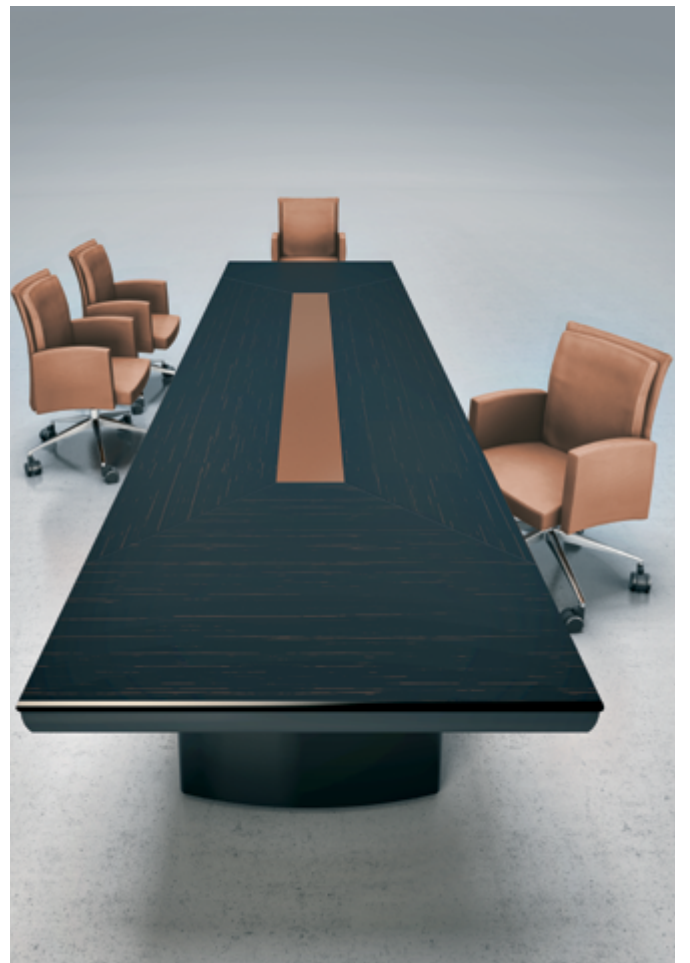


#### Finishes

Textured Laquer

AVANT  
CABLE MANAGEMENT

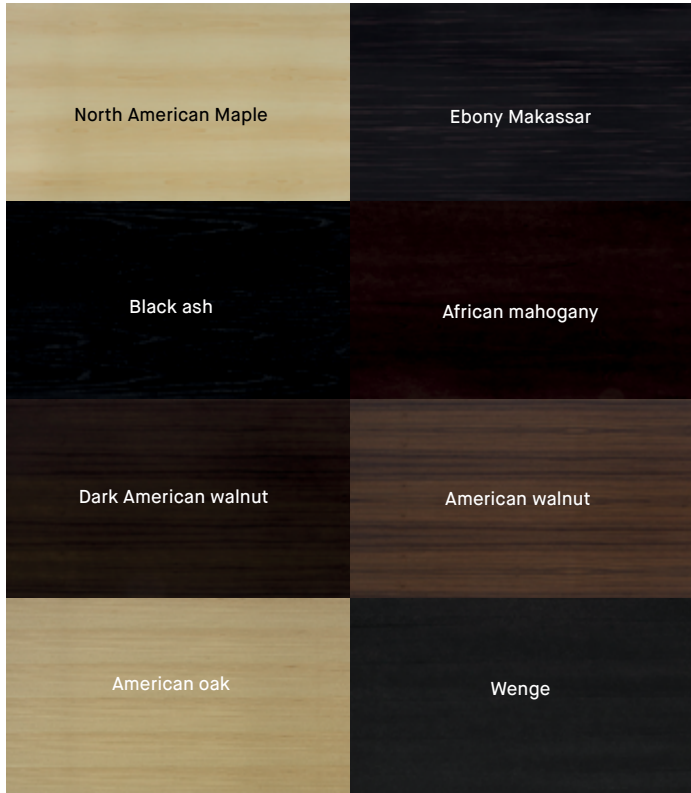




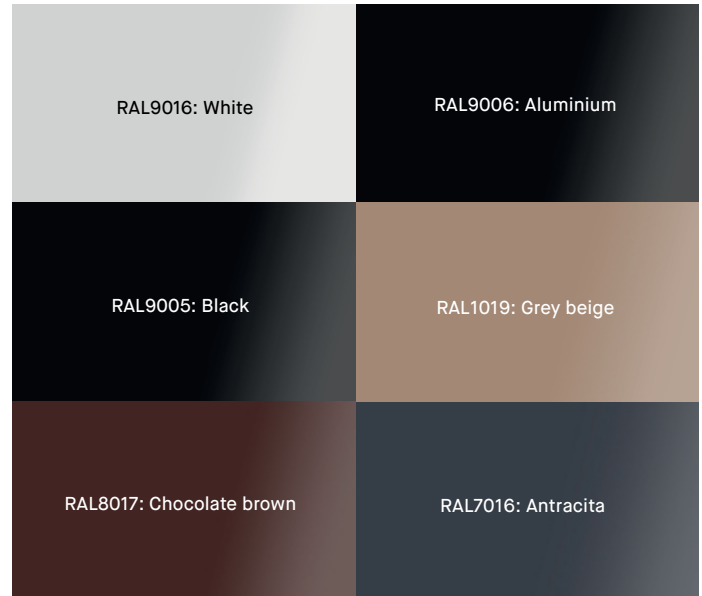


# AVANT FINISHES

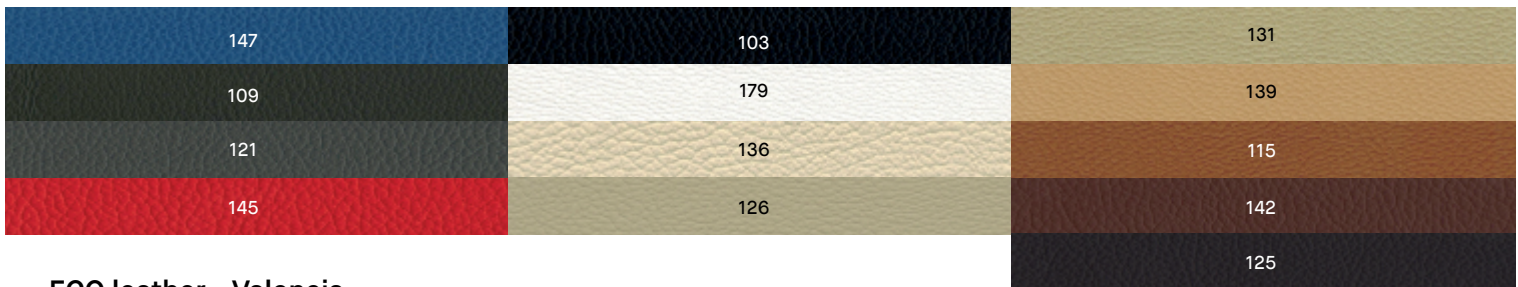
## Wood



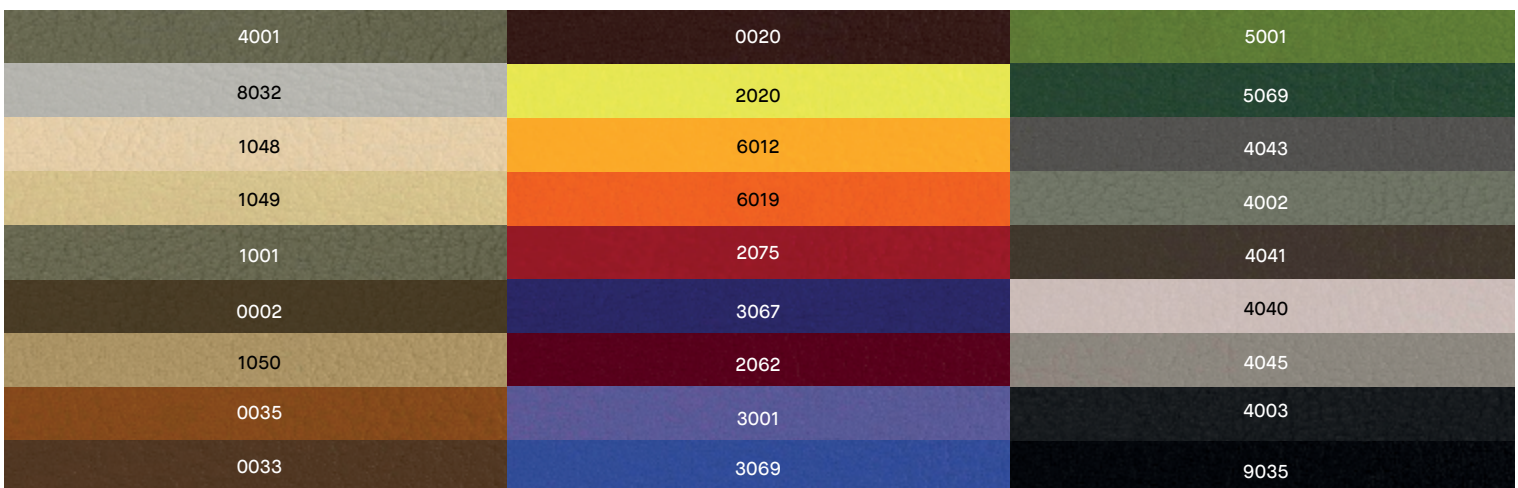
## Lacquer (matt / piano)



## Natural Leather - S100



## ECO leather - Valencia





**Headquarters**  
Av. Diagonal 456  
08006 Barcelona, Spain

**Sales enquiries**  
info@bosbarcelona.com  
T. +34 932 370 942

[www.bosbarcelona.com](http://www.bosbarcelona.com)